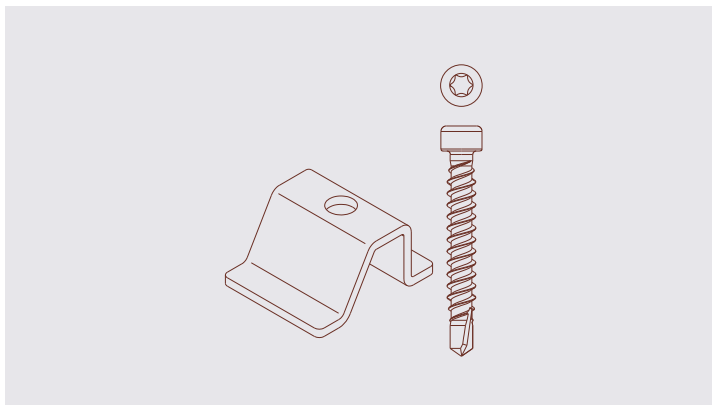


Rhombus Clip



Overview

Abodo's Rhombus Clip is designed for secret fixing of timber screening elements, allowing easy fixing, superior hold and maximum durability. The black painted stainless steel components offer a durable solution with discrete aesthetic appearance.

Uses: Fastening of exterior or interior timber screening with incorporated 'Abodo clip' profile eg: Rhombus RHBC1. Suitable for areas near the sea or exposed to salt spray.

Size: Clip 24mm x 20mm ; Screw 4.2mm x 32mm.

Specification: Stainless Steel 316 (A4) ; Black powder coat finish.

Benefits:

- No visible fixings through face of timber results in a clean architectural look.
- Superior durability due to no 'weak' fixing points in the face of the timber.
- Torx drive screw gives stronger driver hold and reduces blow-out during installation.
- Trim head screw gives a superior holding power.
- Tek tip makes the screw self-drilling into softwood, many other timbers, and light gauge metal, that means reduced installation time.
- Black painted components offer discrete aesthetic effect.

Packaging: Cardboard boxes containing 100 pieces each of clip and screw and including one torx driver bit. Outer cartons containing 20 boxes.

Approx usage:

- 70mm width screening - 22 pcs /m².
- 90mm width screening - 18 pcs /m².
- 140mm width screening- 12 pcs /m².

Product handling

- For exterior applications screening must be fixed onto minimum H3.2 or equivalent durability timber cavity battens over a water proof substrate.
- Cavity battens must be structurally fixed to the substrate with stainless steel fixings with spacing at maximum 600mm centres.
- 45mm thick cavity battens must be structurally fixed to studs/nogs at max 600mm centres with 90x3.15mm stainless steel flat head ring shank nails or 90mm stainless steel screws, or if fixing to masonry use M6 x 75mm split drive masonry anchor (Ramset or equivalent), with fixings staggered 12mm either side of centre line.

Rhombus Clip

Fixing overview

- The clip can be used to fix timber screening vertically or horizontally.
- Vertical screening must have a screw applied at 45 degree angle through leading edge of each board at both top and base of wall, in order to prevent slipping of boards.
- Apply cavity closer as necessary to base of wall to stop movement of vermin into cavity.
- Fix first row of clips using a plumb line making sure they are level and in a straight line.
- Use the torx drive bit included in each box. Drive screws with an electric drill, set to screw driving mode or an electric screw driver at slow speed.
- Adjust clutch so that the screw head sits tight against clip.
- Ensure a minimum of 30mm penetration of screw into timber substrate.

Fixing details:

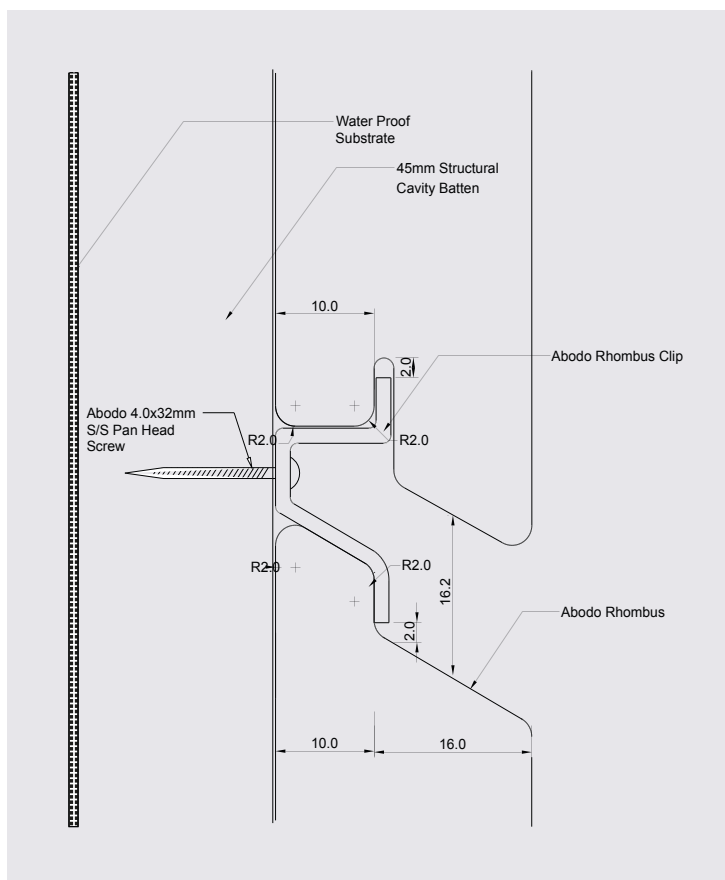


Fig 1 – Rhombus Clip fixing

P +64 9 249 0100
E info@abodo.co.nz
W abodo.co.nz